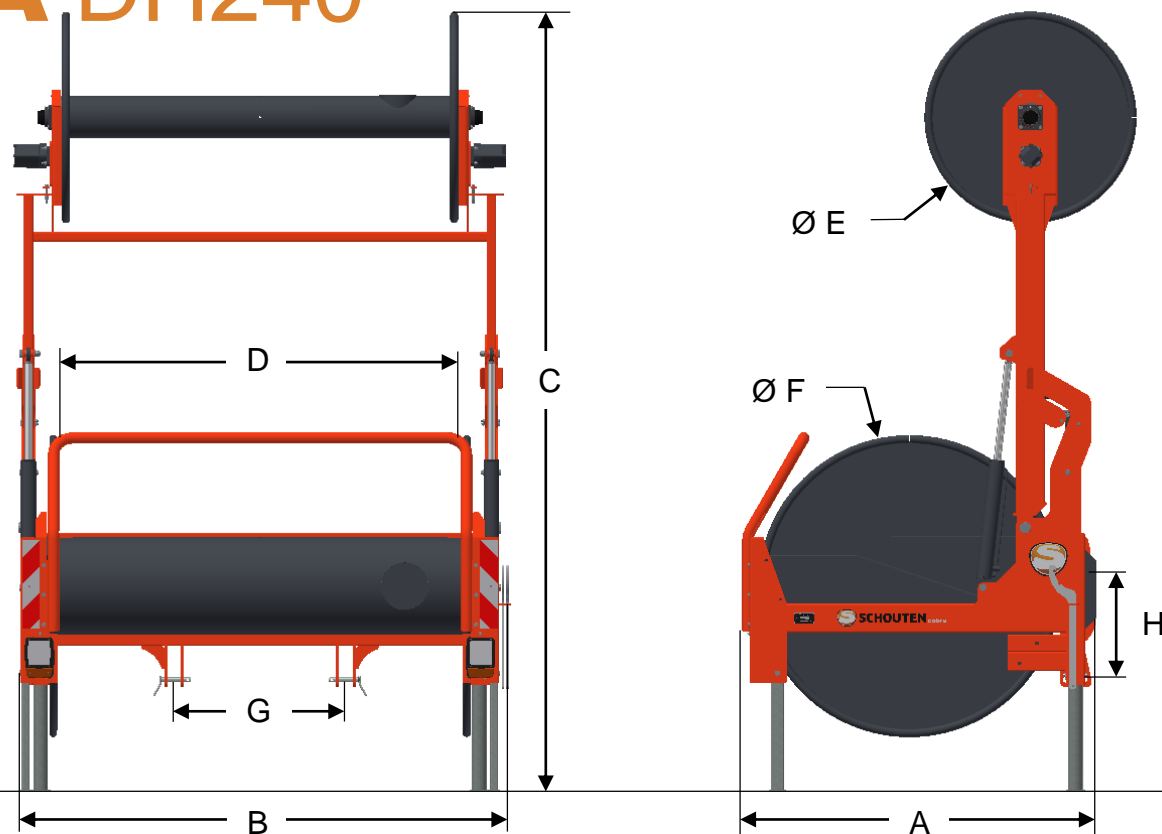


COBRA DH240



DIMENSIONS

A	LENGTH	1840 MM
B	WIDTH	2860 MM
C	HEIGHT	4040 MM
D	SPOOLWIDTH	2400 MM

E	SPOOLDIAMATER TOP	1100 MM
F	SPOOLDIAMETER MAIN	1570 MM
G	HITCH WIDTH	890 MM
G	DISTANCE LIFT PIN – LINK PIN	520-590 MM

COBRA DH240

MACHINE INFORMATION

TYPE	DH240	DRIVE SPOOLS	HYDRAULIC/CHAIN
WEIGHT	1485 KG	HYDRAULIC MOTORS/SPOOL	2X OMS200
HITCH TYPE	3 + 4-POINTS CAT II	DRIVE PROTECTION	HYDR. OVERPRESSURE
HOSE CAPACITY	1000 MTR. - 6" / 400 MTR - 5"		

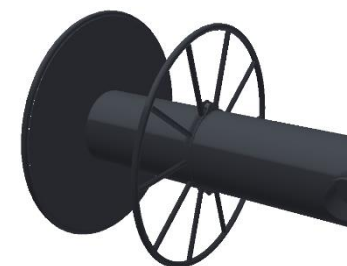
OPTIONS



FRONTLIGHTING



BACKLIGHTING



ADJUSTABLE PARTITION