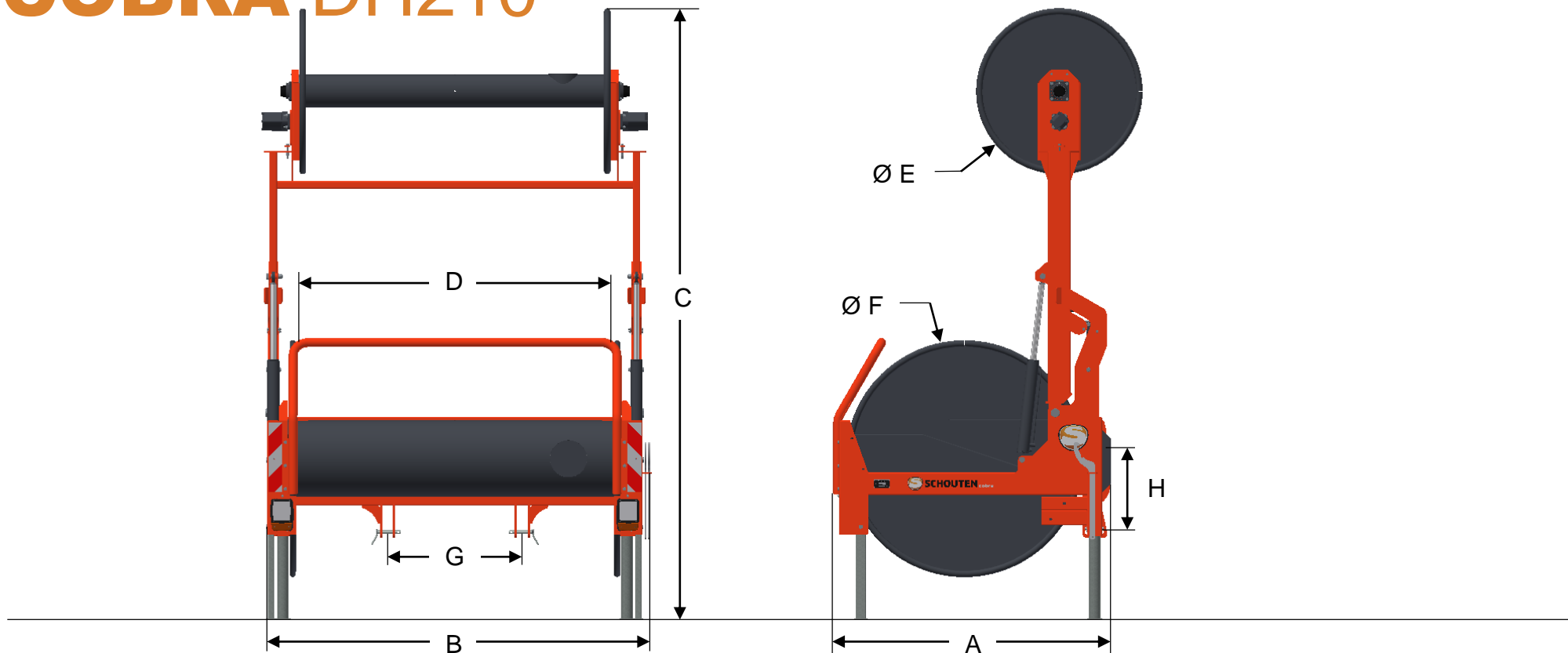


COBRA DH210



DIMENSIONS

A	LENGTH	1840 MM	E	SPOOLDIAMETER TOP	1100 MM
B	WIDTH	2560 MM	F	SPOOLDIAMETER MAIN	1570 MM
C	HEIGHT	4040 MM	G	HITCH WIDTH	890 MM
D	SPOOLWIDTH	2100 MM	G	DISTANCE LIFT PIN - LINK PIN	520-590 MM

COBRA DH210

MACHINE INFORMATION

TYPE	DH210
WEIGHT	1360 KG
HITCH TYPE	3 + 4-POINTS CAT II
HOSE CAPACITY	1000 MTR. - 5" / 400 MTR - 4"

DRIVE SPOOLS	HYDRAULIC/CHAIN
HYDRAULIC MOTORS/SPOOL	2X OMS200
DRIVE PROTECTION	HYDR. OVERPRESSURE

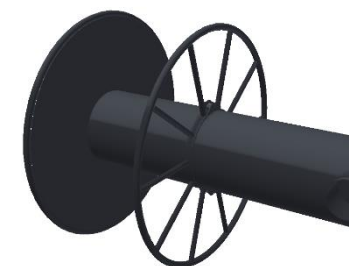
OPTIONS



FRONTLIGHTING



BACKLIGHTING



ADJUSTABLE PARTITION